

| | |
|-------------|---------------------|
| AM2520ID09 | HIGH EFFICIENCY RED |
| AM2520EC09 | HIGH EFFICIENCY RED |
| AM2520SGD09 | SUPER BRIGHT GREEN |
| AM2520SGC09 | SUPER BRIGHT GREEN |
| AM2520YD09 | YELLOW |
| AM2520YC09 | YELLOW |

Features

- SUBMINIATURE PACKAGE.
- WIDE VIEWING ANGLE.
- Z-BEND LEAD.
- LONG LIFE - SOLID STATE RELIABILITY.
- LOW PACKAGE PROFILE.
- PACKAGE : 1000PCS / REEL.

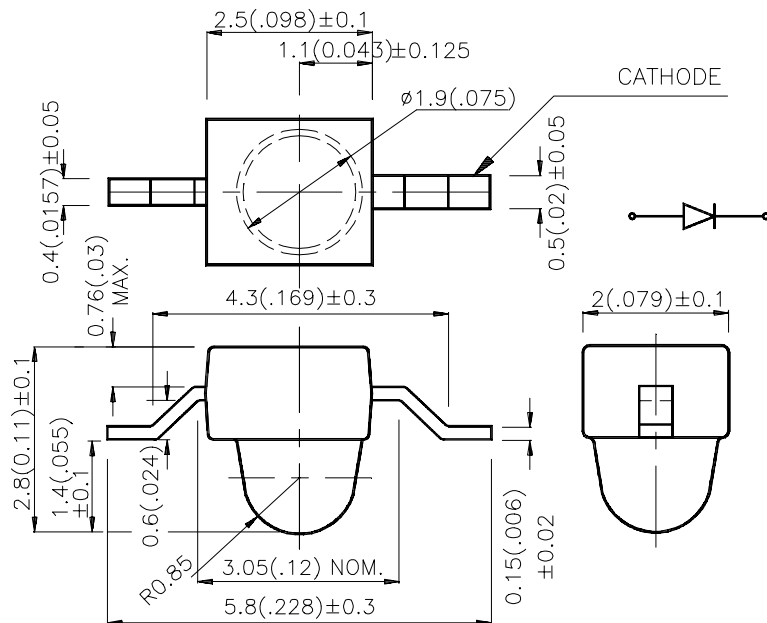
Description

The High Efficiency Red source color devices are made with Gallium Arsenide Phosphide on Gallium Phosphide Orange Light Emitting Diode.

The Super Bright Green source color devices are made with Gallium Phosphide Green Light Emitting Diode.

The Yellow source color devices are made with Gallium Arsenide Phosphide on Gallium Phosphide Yellow Light Emitting Diode.

Package Dimensions



Notes:

1. All dimensions are in millimeters (inches).
2. Tolerance is $\pm 0.25(0.01)$ unless otherwise noted.
3. Lead spacing is measured where the lead emerge package.
4. Specifications are subject to change without notice.

Selection Guide

| Part No. | Dice | Lens Type | Iv (mcd) @ 20 mA | | Viewing Angle |
|-------------|--------------------------------|-----------------|---------------------|------|------------------|
| | | | Min. | Typ. | θ1/2 |
| AM2520ID09 | HIGH EFFICIENCY RED(GaAsP/GaP) | RED DIFFUSED | 8 | 30 | 40° |
| AM2520EC09 | HIGH EFFICIENCY RED(GaAsP/GaP) | WATER CLEAR | 12 | 70 | 20° |
| AM2520SGD09 | SUPER BRIGHT GREEN (GaP) | GREEN DIFFUSED | 3 | 10 | 40° |
| AM2520SGC09 | SUPER BRIGHT GREEN (GaP) | WATER CLEAR | 40 | 100 | 20° |
| AM2520YD09 | YELLOW (GaAsP/GaP) | YELLOW DIFFUSED | 3 | 10 | 40° |
| AM2520YC09 | YELLOW (GaAsP/GaP) | WATER CLEAR | 10 | 30 | 20° |

Note:

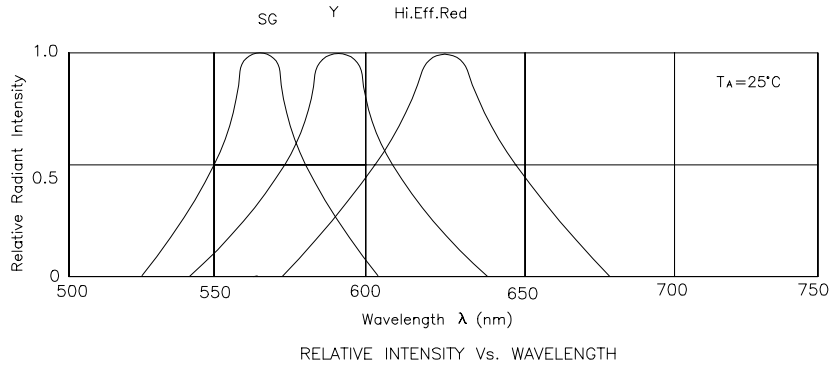
1. θ1/2 is the angle from optical centerline where the luminous intensity is 1/2 the optical centerline value.

Electrical / Optical Characteristics at T_A=25°C

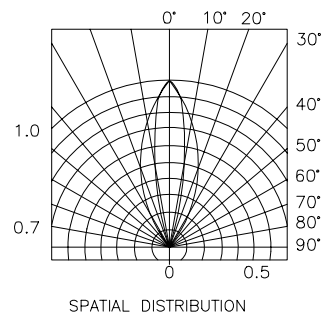
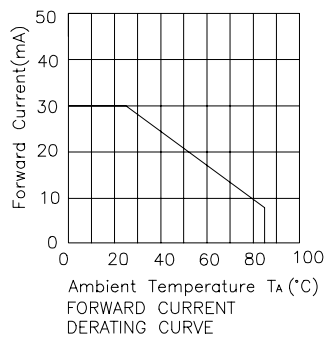
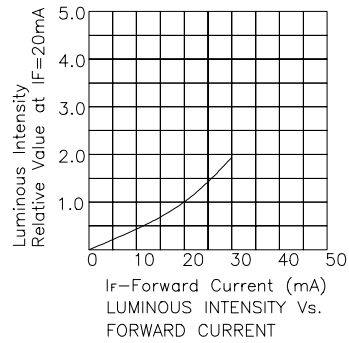
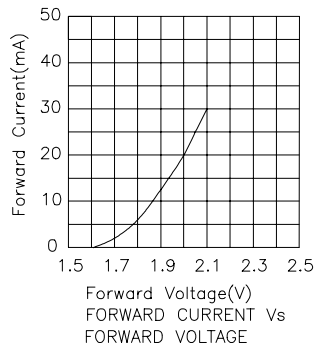
| Symbol | Parameter | Device | Typ. | Max. | Units | Test Conditions |
|-------------------|-------------------------|---|-------------------|-------------------|-------|-----------------|
| λ _{peak} | Peak Wavelength | High Efficiency Red Super Bright Green Yellow | 627 565 590 | | nm | IF=20mA |
| λ _D | Dominate Wavelength | High Efficiency Red Super Bright Green Yellow | 625 568 588 | | nm | IF=20mA |
| Δλ _{1/2} | Spectral Line Halfwidth | High Efficiency Red Super Bright Green Yellow | 45 30 35 | | nm | IF=20mA |
| C | Capacitance | High Efficiency Red Super Bright Green Yellow | 15 15 20 | | pF | VF=0V;f=1MHz |
| V _F | Forward Voltage | High Efficiency Red Super Bright Green Yellow | 2.0 2.2 2.1 | 2.5 2.5 2.5 | V | IF=20mA |
| I _R | Reverse Current | All | | 10 | uA | VR = 5V |

Absolute Maximum Ratings at T_A=25°C

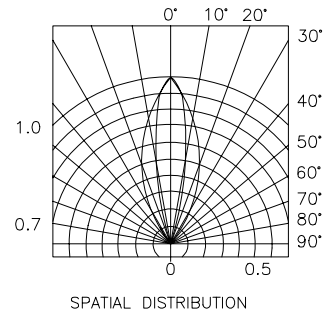
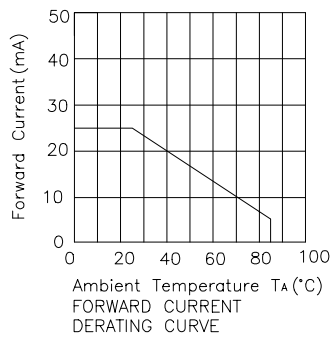
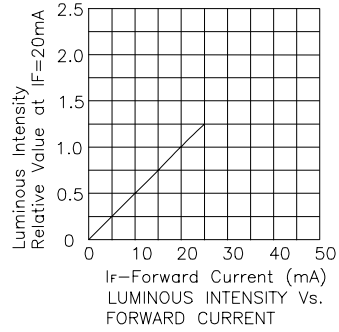
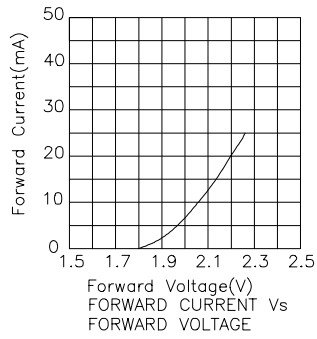
| Parameter | High Efficiency Red | Super Bright Green | Yellow | Units |
|-------------------------------|---------------------|--------------------|--------|-------|
| Power dissipation | 105 | 105 | 105 | mW |
| DC Forward Current | 30 | 25 | 30 | mA |
| Peak Forward Current [1] | 160 | 140 | 140 | mA |
| Reverse Voltage | 5 | 5 | 5 | V |
| Operating/Storage Temperature | -40°C To +85°C | | | |



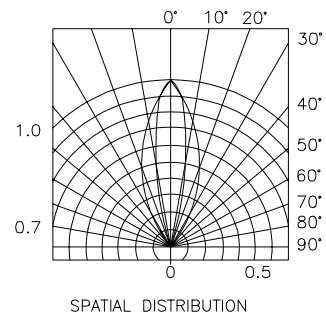
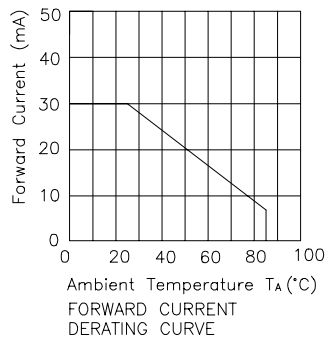
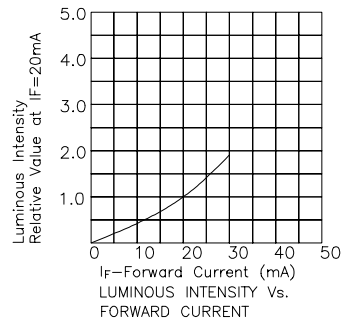
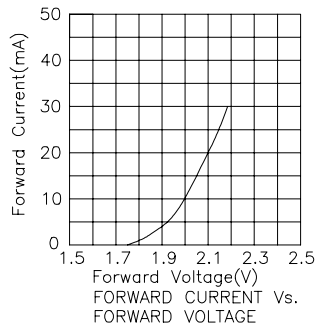
High Efficiency Red AM2520ID09, AM2520EC09



Super Bright Green AM2520SGD09, AM2520SGC09

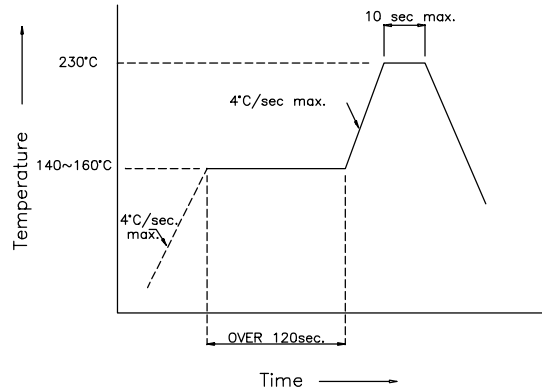


Yellow AM2520YD09, AM2520YC09

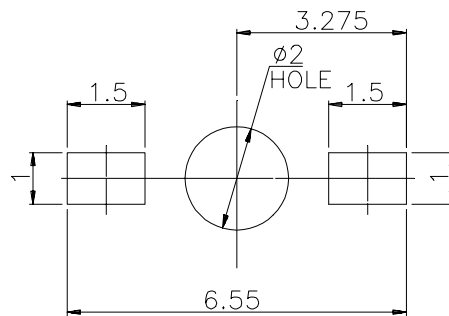


AM2520IESGYD09, AM2520IESYC09 SMT Reflow Soldering Instructions

Number of reflow process shall be less than 2 times and cooling process to normal temperature is required between first and second soldering process.



Recommended Soldering Pattern (Units : mm)



Tape Specifications (Units : mm)

